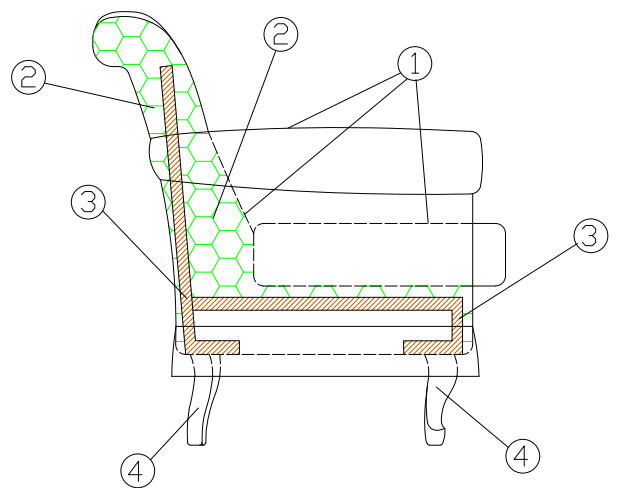
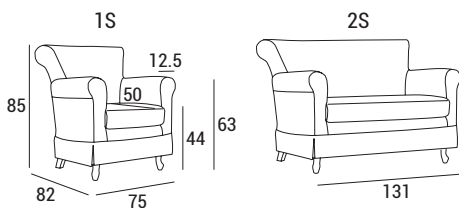
**1S:**

- 1 - dacron® fiber 100 gr;
- 2 - high resilience foamed polyurethane;
- 3 - structural frame in metal;
- 4 - stained massive wood feet.

**2S:**

- 1 - dacron® fiber 100 gr;
- 2 - high resilience foamed polyurethane;
- 3 - structural frame in plywood,
non-structural parts in composite wood;
- 4 - stained massive wood feet.

DIMENSIONS:**With feet/wheels**

LEGS:

h 18



WOODEN FEET FINISHINGS:

RAL on demand



TECHNICAL DETAILS:

Removable cover. AVAILABLE UPON REQUEST	kg	m ³	mts
070 1S WOOD FEET	15	0.52	3.20
070 1S WEELS	15	0.52	3.20
070 2S WOOD FEET	22	0.91	5.20
070 2S WEELS	22	0.91	5.20

PHOTO GALLERY:



070 armchair



070 sofa

