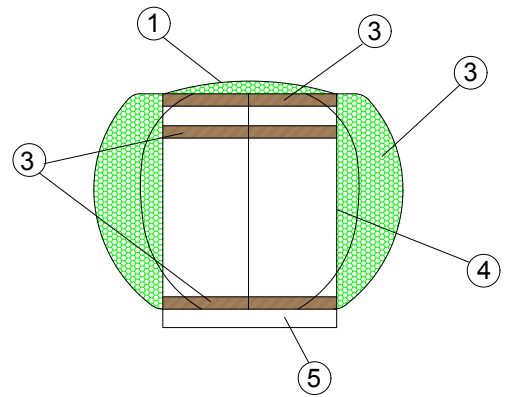


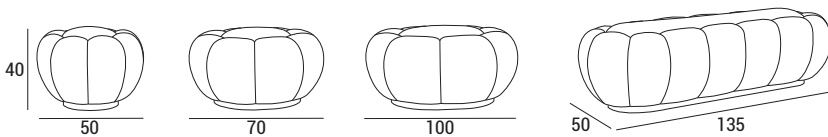
ARKE



- 1 - dacron® fiber 100 gr;
- 2 - high resilience polyurethane foam of different densities;
- 3 - structural frame in fir plywood;
- 4 - plinth in laminated plywood.



DIMENSIONS

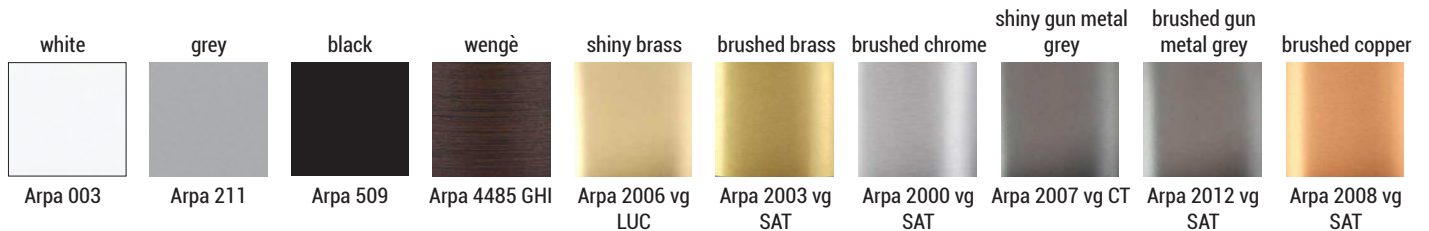


PLINTH

h 3



LAMINATE FINISHINGS



TECHNICAL DETAILS

Removable cover: NO	kg	m ³	mts
ARKE D50	6	0.10	2.00
ARKE D70	11	0.19	3.00
ARKE D100	28	0.40	4.00
ARKE 135X50	23	0.27	4.00