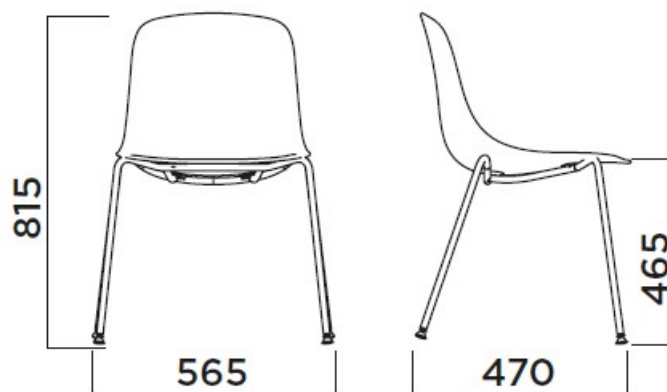


	SCHEDE TECNICHE / TECHNICAL SPECIFICATIONS	ST317	Autore DST
	PURE LOOP MONO QUATTRO GAMBE PURE LOOP MONO FOUR LEGS	Rev. 00	Data 08/01/19
			Pag. 1 di 1



<p>Scocca</p> <p><i>Shell</i></p>	<ul style="list-style-type: none"> • Polipropilene + Fibra vetro. • <i>Polypropylene + Glass fiber.</i>
<p>Caratteristiche telaio</p> <p><i>Frame Specifications</i></p>	<ul style="list-style-type: none"> • Struttura in tubo tondo lucido diametro 16 spessore 2 mm secondo normativa Uni En 10305-3. • <i>Round polished tube d.16, 2 mm thickness, in conformity with uni en 10305-3 rule.</i>
<p>Finitura</p> <p><i>Finishing</i></p>	<ul style="list-style-type: none"> • Telaio cromato con spessore medio 5 μ. • Telaio verniciato con polveri epossipoliesteri spessore medio 50 μ. • <i>Chrome plating with medium thickness 5 μ.</i> • <i>Painted frame with epoxy-polyester powder with average thickness of 50 μ.</i>



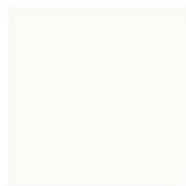
Frame - Steel



01
Chromium
plated



31
Matt black



30
Matt white



503F
Powder blue
fine textured



514F
Sand fine
textured

Outdoor Frame - Steel



31-E
Matt black
painted



30-E
Matt white
painted



503F-E
Powder blue
fine textured



514F-E
Sand fine
textured

Shell - Post Consumer Polypropylene



IR8022
Coal black



IP7608U
Marsala



IS513
Military green



IS503
Powder blue

Shell - Polypropylene



P421C
Almond grey



S514
Sand



S020
White