

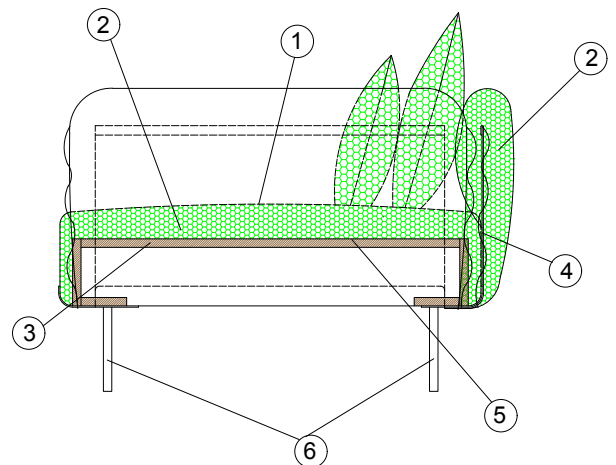
partially removable cover:
backrest and armrest cushion

TILTON

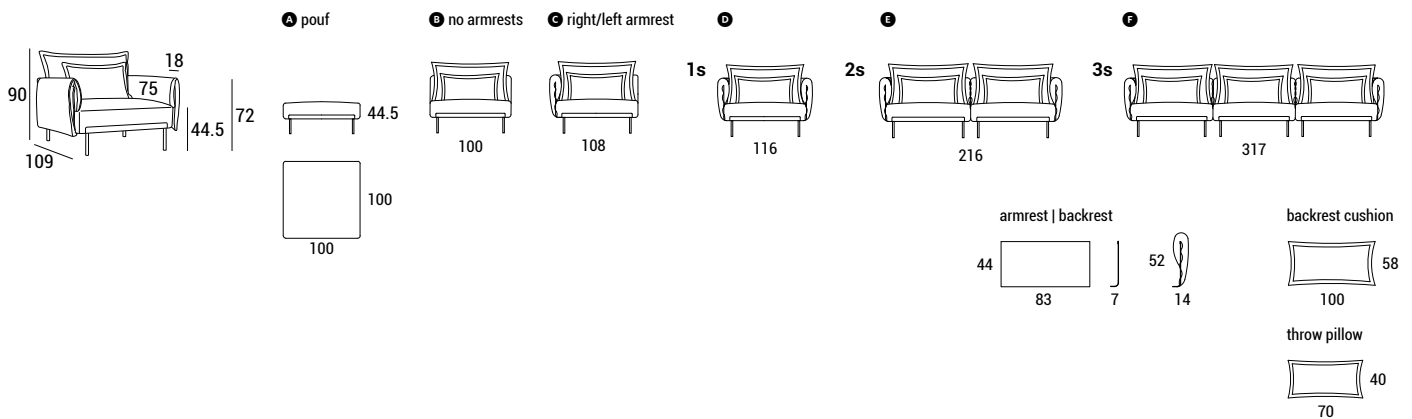


Tilton is a series of square combinations, a contemporary Tetris built out of three essential modules that can be endlessly combined. The balanced interplay between geometry and softness catches the eye, harmonizing rigor and ease.


- 1 - fabric-leather upholstery;
- 2 - high resilience polyurethane foam of different densities;
- 3 - mixed feathers;
- 4 - structural frame in plywood and firwood;
- 5 - varnished metal sheet
- 6 - elastic webbing;
- 7 - circular varnished tubular metal feet.



DIMENSIONS



TILTON

 partially removable cover:
backrest and armrest cushion

MODULARITY

A pouf



B no armrests



C left armrest



C right armrest



D armchair



C left armrest + **C** right armrest



C left armrest + **B** no armrests + **C** right armrest



FLEXIBILITY

Pouf




Armchair no armrests



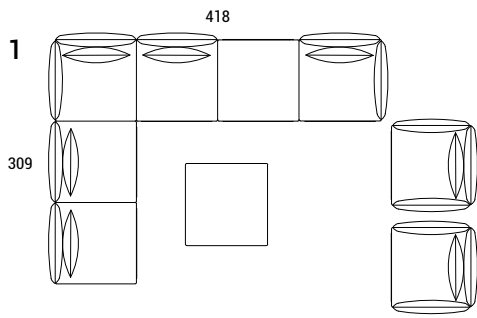
Armchair



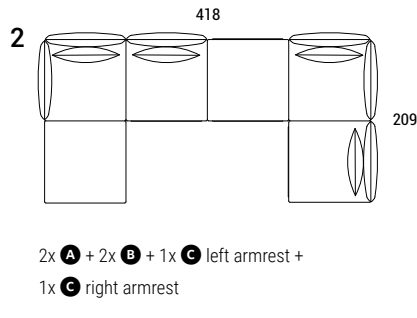
TILTON

 partially removable cover:
backrest and armrest cushion

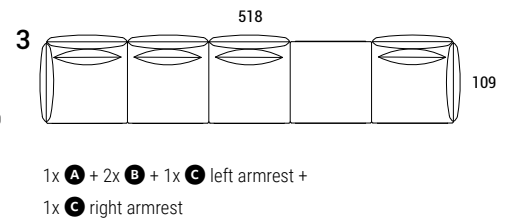
SUGGESTED CONFIGURATIONS



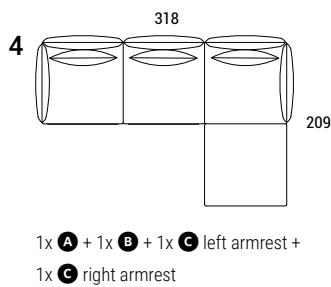
2x **A** + 3x **B** + 1x **C** left armrest +
1x **C** right armrest + 2x **D**



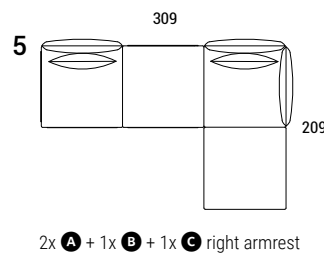
2x **A** + 2x **B** + 1x **C** left armrest +
1x **C** right armrest



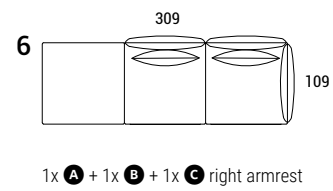
1x **A** + 2x **B** + 1x **C** left armrest +
1x **C** right armrest



1x **A** + 1x **B** + 1x **C** left armrest +
1x **C** right armrest



2x **A** + 1x **B** + 1x **C** right armrest



1x **A** + 1x **B** + 1x **C** right armrest

DETAIL OF THE CUSHIONS



METAL SHEET DETAIL



H 5

Painted metal
decorative element

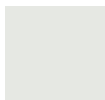
FEET

P 108 h 20

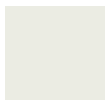


METAL SHEET AND FOOT FINISHINGS

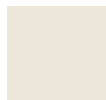
STANDARD



RAL 9003



RAL 9016



RAL 9010



RAL 7035



RAL 9006



RAL 9005

OPTIONAL

POLISHED PLATED
CHROME




SATIN PLATED
CHROME



RAL COLOR OF YOUR
CHOICE



TILTON

 partially removable cover:
backrest and armrest cushion

MAGNETS







Magnets are placed inside the padded parts to help the soft cushion adhere to the shell.

PHOTO GALLERY



TECHNICAL DETAILS

			 fabric mtl H 140 cm	 leather m ²
TILTON POUF	30	0.46	2.70	5.02
TILTON 1P NO ARMRESTS	40	1.01	7.30	13.58
TILTON 1P RIGHT/LEFT ARMREST	60	1.09	9.50	17.67
TILTON 1S	80	1.17	11.70	21.76
TILTON 2S	100	2.17	18.50	34.41
TILTON 3S	120	3.18	25.30	47.06
TILTON COMPOSITION 1	460	17.99	65.90	122.57
TILTON COMPOSITION 2	260	7.99	36.70	68.26